

COLD START DEVICE FOR INTERNAL COMBUSTION ENGINES SUPPLIED WITH BIODIESEL FUEL

Inventors:

*Dr.eng. Mariasiu Florin,
Prof.dr.eng. Burnete Nicolae,
dr.eng. Varga Bogdan*

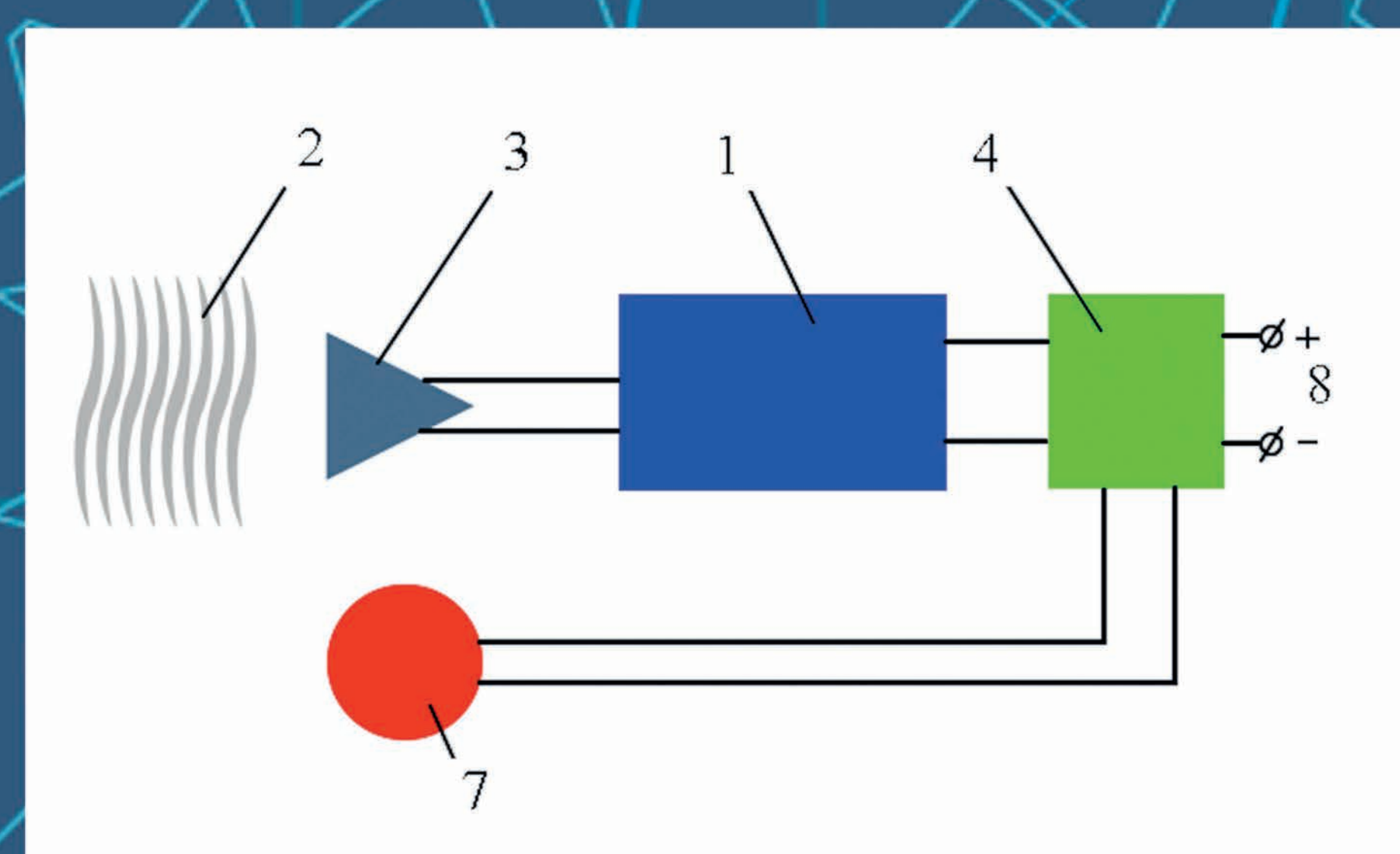
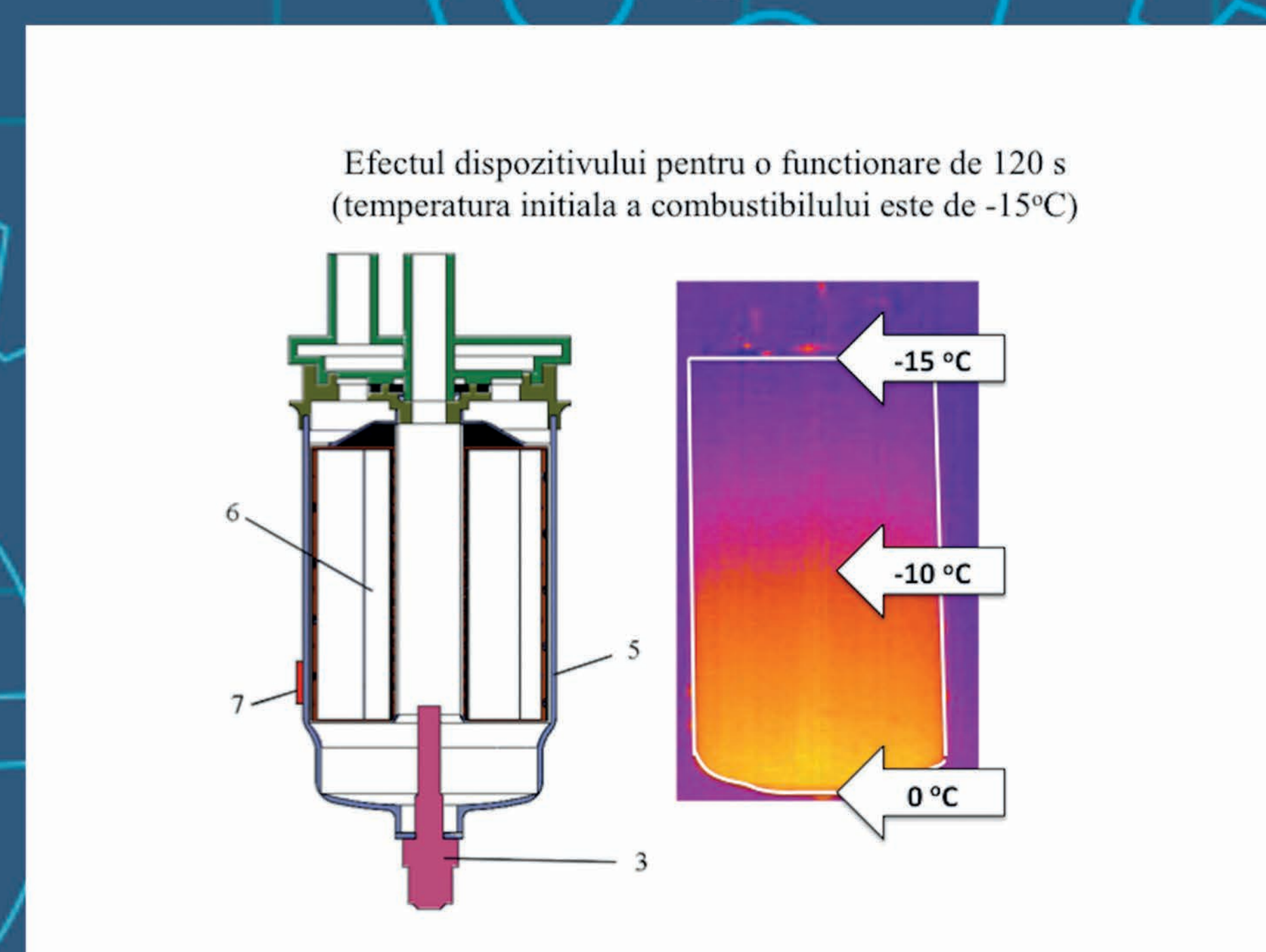
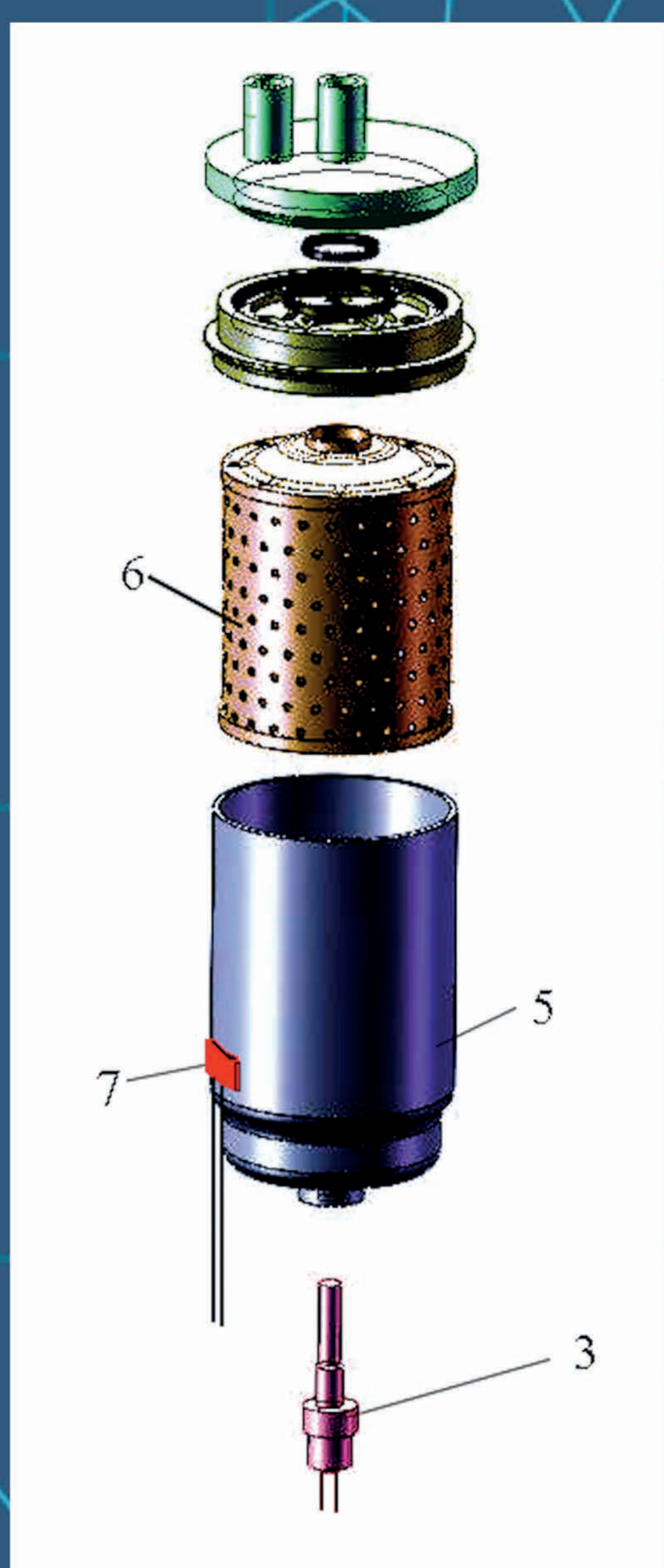
Contact:

*Bdul.Muncii 103-105, C205a office,
RO-400641, Cluj-Napoca, Romania,
florin.mariasu@auto.utcluj.ro*

Description:

The position of the ultrasound-emitting device inside of filtering battery increasing biofuel's temperature (in a reasonable time), with beneficial effects on cold start process of internal combustion engines (reduce pollution and has a positive effect on the fuel injection process).

No. Patent or patent application: RO 127032-A2



Applicability:

Internal Combustion Engines, Biofuels